

SCT inline centrifugal fan

🔧 Sectors [Laboratories and Medical, Ventilation](#)

🔧 Applications: [Fix](#)

🔧 Issues [Medical, Odours](#)

COD: SCT000000000000



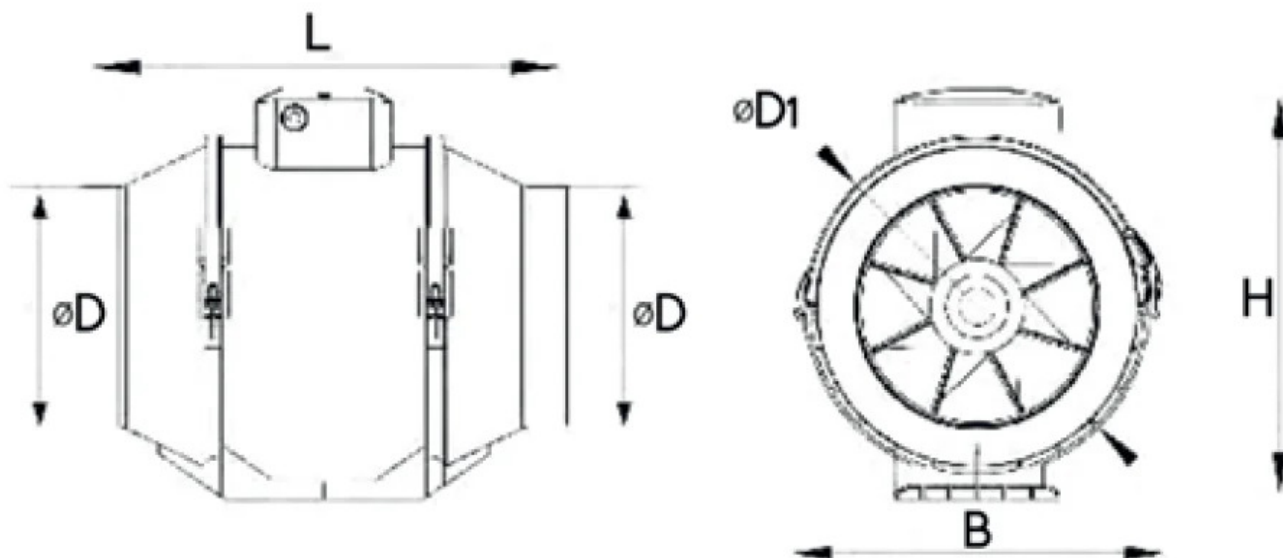
SCT intubated inline centrifugal fans are very easy to use thanks to quick mounting with inline or parallel installation and single-phase 230V Hz50 2-speed motors.

Detailed description

These ducted fans with their special configuration combine the typical advantage of helical fans of being able to transport air on the horizontal axis with the high efficiency of a centrifugal impeller in a housing made of ABS. They are very easy to use thanks to the quick fastening with in-line or parallel installation and the single-phase 230V Hz50 2-speed motors. The removable body allows for easy cleaning and maintenance.



Dimensions



Code	B mm	D mm	H mm	L mm	ØD1 mm
SCT000000000100	167	96	190	246	140
SCT000000000100	167	96	190	246	140
SCT000000000125	167	123	190	246	140
SCT000000000125	167	123	190	246	140
SCT000000000160	233	158	250	295	195
SCT000000000160	233	158	250	295	195
SCT000000000200	239	199	261	296	209
SCT000000000200	239	199	261	296	209
SCT000000000250	287	247	323	383	257
SCT000000000250	287	247	323	383	257
SCT000000000315	362	310	408	445	323
SCT000000000315	362	310	408	445	323



Technical Data

Code	Power kW	Nominal flow rate m ³ / h	Noise Db (A)	Supply voltage	Rotational speed rpm	Current A	Regulator RV	Fan net weight kg
SCT000000000100	21	145	28	230V 50Hz	2450	0.12	1,5A	1500
SCT000000000100	33	187	35	230V 50Hz	2500	0.2	1,5A	1500
SCT000000000125	23	220	29	230V 50Hz	1960	0.19	1,5A	1400
SCT000000000125	37	280	36	230V 50Hz	2500	0.26	1,5A	1400
SCT000000000160	30	467	33	230V 50Hz	1870	0.17	1,5A	3400
SCT000000000160	60	552	44	230V 50Hz	2450	0.27	1,5A	3400
SCT000000000200	90	830	45	230V 50Hz	2045	0.4	1,5A	6500
SCT000000000200	125	1040	52	230V 50Hz	2510	0.55	1,5A	6500
SCT000000000250	125	1100	47	230V 50Hz	1955	0.54	1,5A	7500
SCT000000000250	177	1400	55	230V 50Hz	2440	0.79	1,5A	7500
SCT000000000315	225	1760	49	230V 50Hz	1980	0.98	3A	11400
SCT000000000315	330	2350	58	230V 50Hz	2560	1.43	3A	11400



Accessories



Single-phase speed controller for fans

REGVELMONO00000

Speed controllers are ideal for controlling **single-phase motors of axial or centrifugal fans**, single or double inlet or box fans.



Related products



HLAB 50/75/100mm laboratory suction arm for wall mounting

HLAB50751000000

The **HLAB laboratory arm** is designed for localized suction in workstations where high mobility is required, such as in chemical laboratories, universities, schools, chemical, pharmaceutical and electronic industries.

NB: hood excluded, to be selected from accessories.



CLAB 50/75/100mm laboratory suction arm for ceiling mounting

CLAB50751000000

The **CLAB laboratory arm** is designed for localized suction in workstations where high mobility is required, such as in chemical laboratories, universities, schools, chemical, pharmaceutical and electronic industries.

NB: hood excluded, to be selected from accessories.



Centrifugal in line fan SCC

SCC000000000000

The SCC ducted inline centrifugal fans are very easy to use thanks to the quick fastening with inline or parallel installation and the single-phase 230V Hz50 2-speed motors.

