

# WFD suction wall for smoke and dust

🔧 Sectors [Sanding, Grinding, Welding,](#)

🔧 Applications [Fix](#)

🔧 Issues [Powders, Fumes](#)

COD:

WFD000000000000



WFD smoke and dust suction wall is designed for suction of machining dust on large surfaces, sanding, grinding, discarding, etc.

## Insight

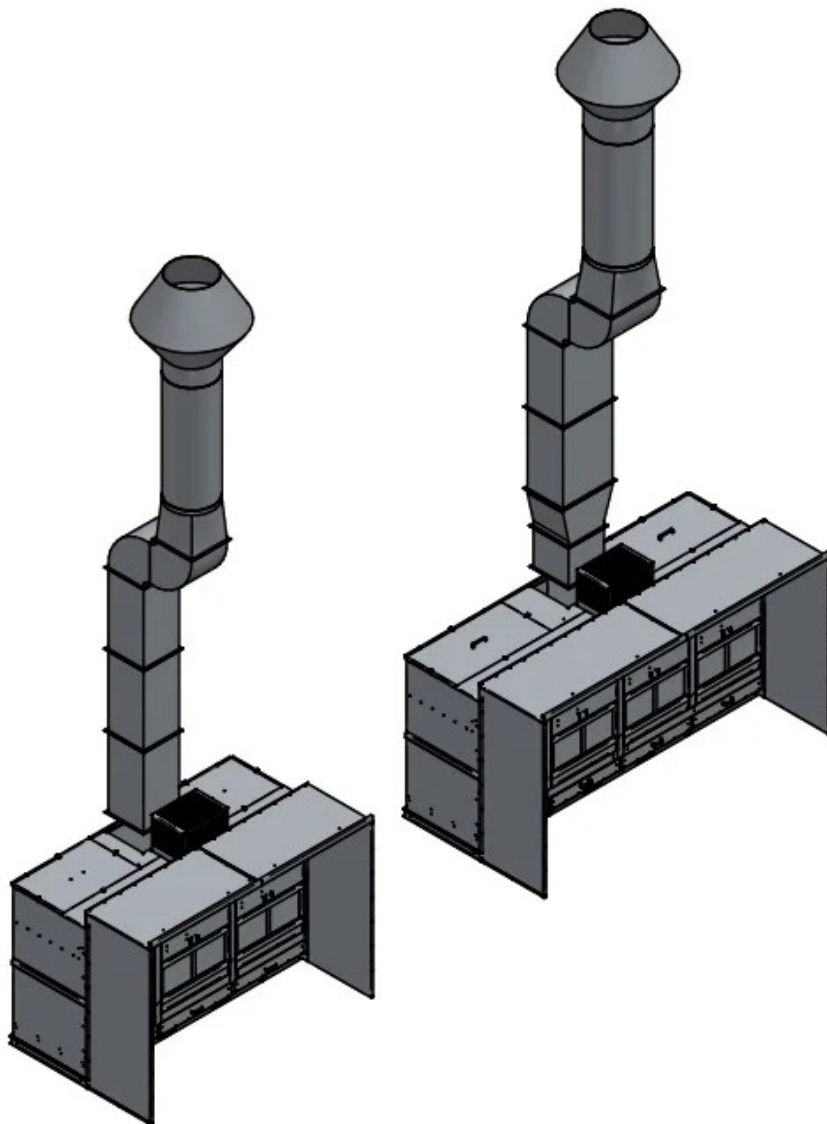
### How it works

Dust and fumes are sucked frontally from the booth through the opposing vertical staves made by studying the suction flows. Thanks to the stilling chamber behind the staves, the larger dust particles fall directly into the collection drawers. The suctioned flow then passes through the filter cartridges installed at the edge of the cabin and is then expelled outward through the integrated vacuum cleaner.

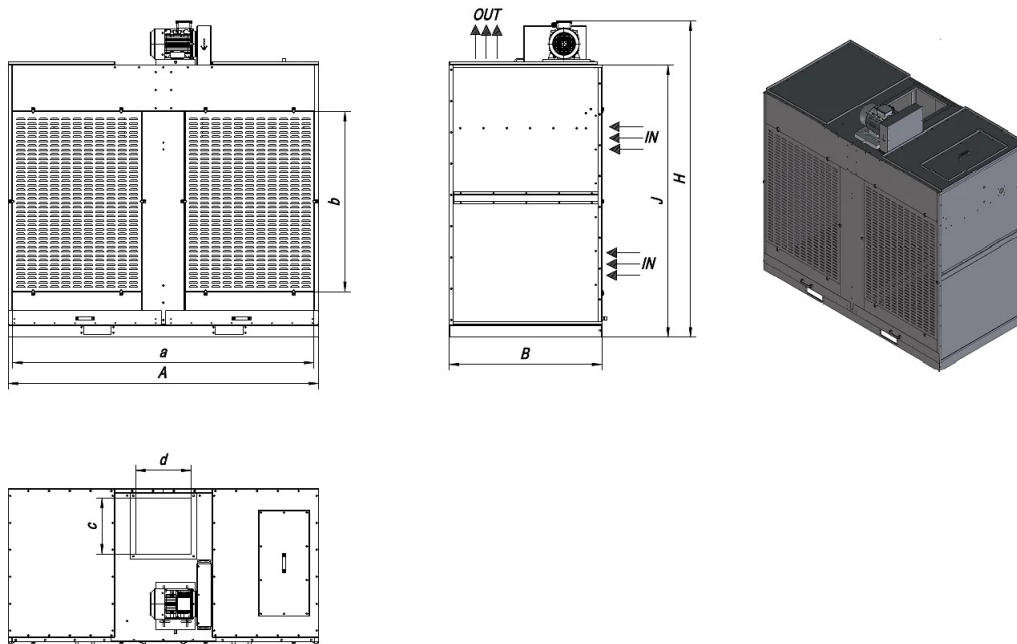
### Construction

- Structure and panels made of strong galvanized sheet metal machined with numerically controlled punching machine, press-bent with computerized 6-axis bending machine
- Panels gasketed with silicone sealants and bolted together with high-strength bolts
- The wall forms a vacuum cabinet with an inclined suction plane to optimize suction over the entire front surface of the booth
- Filter cartridges mounted at the rear of the booth made of chemical-resistant polyester or antistatic polyester filter fabric
- Automated compressed air backwash cleaning complete with high-efficiency storage tank
- Available cartridges: polyester and antistatic polyester
- On request with normal or inverter control panel





## Dimensions



Code	A mm	a mm	B mm	b mm	c mm	d mm	H mm	J mm
WFD200000000000	2250	2190	1100	1300	405	405	2350	1970
WFD300000000000	3150	3090	1100	1300	505	505	2450	1970
WFD400000000000	4050	3990	1100	1300	505	505	2450	1970
WFD500000000000	4950	4890	1100	1300	505	505	2550	1970
WFD600000000000	5850	5790	1100	1300	505	505	2550	1970



## Technical Data

Code	Power kW	Nominal flow rate m <sup>3</sup> / h	Useful pressure Pa	Sup filter m <sup>2</sup>	Filter effect %	Cartridges num.	Drawers num.	Drawers (size) L
WFD200000000000	4	8000	500	120	99	6	2	180
WFD300000000000	5,5	12000	500	160	99	8	3	270
WFD400000000000	7,5	16000	500	240	99	12	4	360
WFD500000000000	11	20000	500	320	99	16	5	450
WFD600000000000	15	24000	500	400	99	20	6	540



## Photogallery



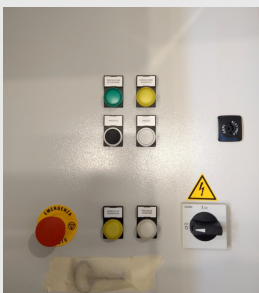
## Related accessories



### Galvanized side extensions and roof cabins WFD

WFD0PLT00000000

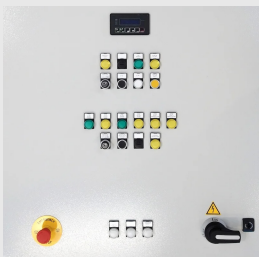
Pair of side walls and upper roof made of galvanized sheet metal with a standard length of 900mm (other sizes at choice) for paint and powder suction wall booths model WFD.



### Electric panel for fan start-up

QED000000000000

Direct-start and star-delta industrial switchboard for starting and protecting fan motors with 3F+T 400Vac 50/60Hz power supply.



### Switch cabinet with inverter for fan control

QEI000000000000

Industrial control cabinet complete with three-phase inverter and remote operator terminal with LCD display, run/stop control, frequency regulation, monitor and alarm reset.



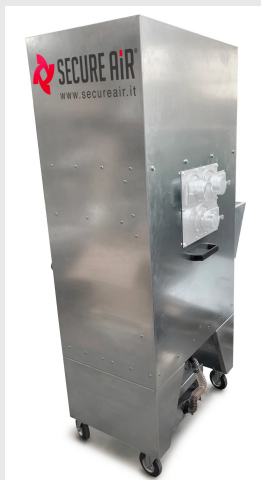
### Rectangular silencer on ejection for WFD 20-30

SILRETWFD002030

Rectangular silencer applied to the air outlet of the suction wall, only for models 20-30



## Related Products



### DFC11NBM dust and fume extractor

DFC11NBM0000000

The DFC11 mobile dust and fume extractor with self-cleaning filters is the ideal solution for extracting and filtering fumes and micro-dust generated during surface treatment processes on metals or composite materials.



### WFDM suction wall for marble, stone, or aggregate dust

WFDM00000000000

The **WFDM** suction wall with integrated filtration is the ideal solution for the suction and 99 percent filtration of dust generated by manual dry processing on marble, stone or other aggregates. Thanks to its cabinet-like design, it is easy to install and ensures the health of operators by protecting them and the work environment from volatile dust, sucked in frontally through specially designed openings at working height.

