

MAXIRET rectangular hood for PRO series arms

- 🔧 Sectors [Welding, Grinding, Sanding, Painting,](#)
[Plant Components,](#)
- 🔧 Applications [Fix](#)
- 🔧 Issues [Fumes, Odours, VOC fumes](#)



COD:

CAPPARETBR00000

The MAXIRET hood, thanks to its size and louvers, functions as a suction wall for efficient capture of pollutants over large areas.

Insight

The MAXIRET hood is configured as a suction wall and, thanks to its dimensions, allows optimal capture even over large surfaces.

Suction is through the three horizontal slots located on the hood wall, which, thanks to its inclination toward the source of the pollutant, allows it to capture even fumes with slower ascent.

Made of aluminum, it is equipped with a handle and calibration damper to balance the suction.

Available in variants: antistatic, Aisi 316 stainless steel and Atex compatible





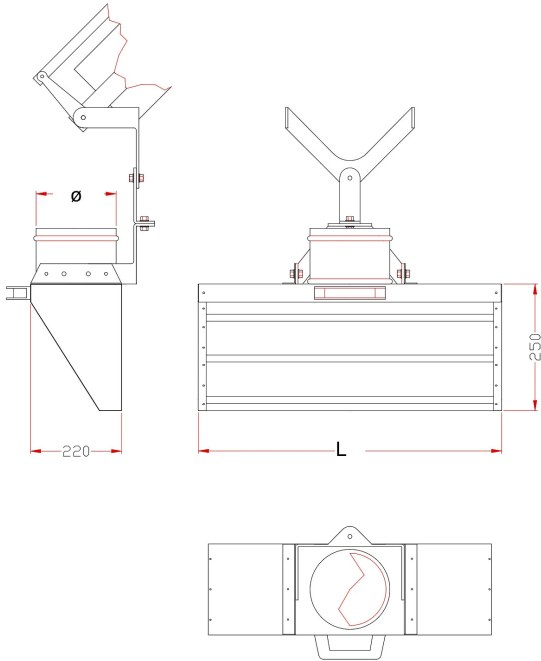
MAXIRET hood on 200mm arm



MAXIRET hood on arm without extractor fan



Dimensions



Technical Data



Related accessories



Plastic arm cover, connection diameter 160

CAPPABR160PL000

High-efficiency plastic hood, equipped with rotating screen and built-in handle.

For HRM-HRV extraction arms.

Available on request with integrated calibration damper.



Conical metal trunk hood

CAPPATRNCNMT000

Metal hood of truncated cone shape, equipped with rotating screen and built-in handle.

For HRM-HRV suction arms.

On request with built-in calibration damper.



Related Products



Self-supporting wall-mounted suction arm PRM PRO series

PRM0000000000000

The PRM PRO series self-supporting articulated extraction arm is the professional version of Secureair® extraction arms, equipped with 4 sturdy pantographs. It is the ideal solution for capturing fumes, gases, and micro-dust as close as possible to the operator, as required by safety regulations.



PRV PRO wall-mounted smoke exhauster with rigid tube arm and fan

PRV0000000000000

The PRV PRO self-supporting articulated suction arm is the professional series of rigid tube arms, with the possibility of additional diameters compared to the HRV160 model and, above all, equipped with a quadruple pantograph for guaranteed stability over time.

