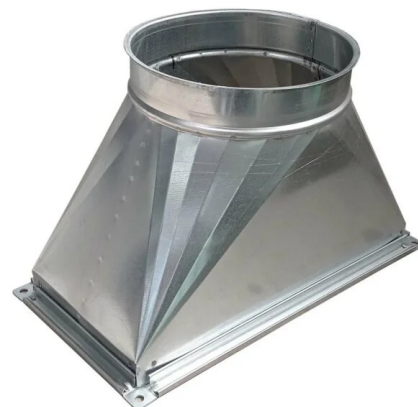


Round flange for adapting air exhaust on silenced bend for SBC/SBV benches

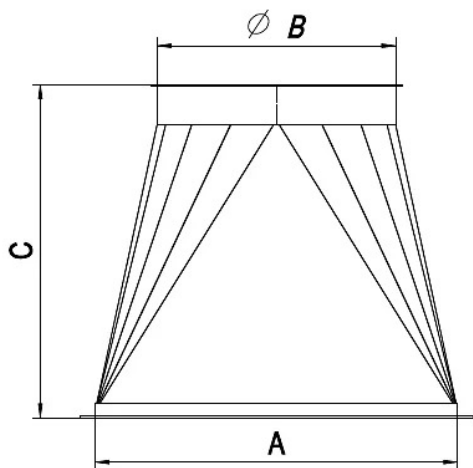
COD: FLTNASCURSB0000



Round flange made of high-quality galvanized sheet metal, to be fixed to the vertical silenced exhaust air outlet for connection to exhaust ducts.

Suitable for SBC and SBV model fume hoods.

Dimensions



Code	Ø B mm	C mm
FLTNASCURSBC100	250	300
FLTNASCURSBV100	250	300
FLTNASCURSBC150	300	300
FLTNASCURSBV150	300	300
FLTNASCURSBC200	400	300
FLTNASCURSBV200	300	300
FLTNASCURSBC300	450	300



Code	Ø B mm	C mm
FLTNASCURSBV300	400	300



Related Products



SBC suction bench with fan and self-cleaning filters

SBC000000000000

The **SBC extraction bench** is available in 4 different sizes ranging from 1 to 3 meters. Designed to extract fumes and dust during professional operations that produce emissions that are hazardous to operators and the working environment due to their high volatility. This version is suitable for intensive use thanks to its **compressed air cleaning cartridge filters**, which guarantee maximum filtration efficiency at the end of the cycle and a long service life.



SBV suction bench with integrated fan and filters

SBV000000000000

The **SBV extraction bench** is designed to protect the operator from fumes and volatile dust emitted by professional processes such as welding, deburring, sanding, or grinding metals in the metalworking industry, foundries, and all sectors where surface treatments are carried out with dry abrasives. It is also used for cleaning parts or blowing off dust from components.

The extraction bench is ready for use, with no need for external fans, filters, or electrical connections, as the on/off switch is already equipped with a three-phase plug.

The basic version of the bench, as shown in the price list below, comes complete with a worktop, suction front, magnetothermal on/off switch wired to the motor, and adjustable feet.

