

# Galvanized sheet metal sub-base for Torrini STCQ

COD: BASESTCQ0000000



Galvanized sheet metal counter-base provided with 4 anchor bolts to ensure good anchorage of the Torrino to the underlying structure.

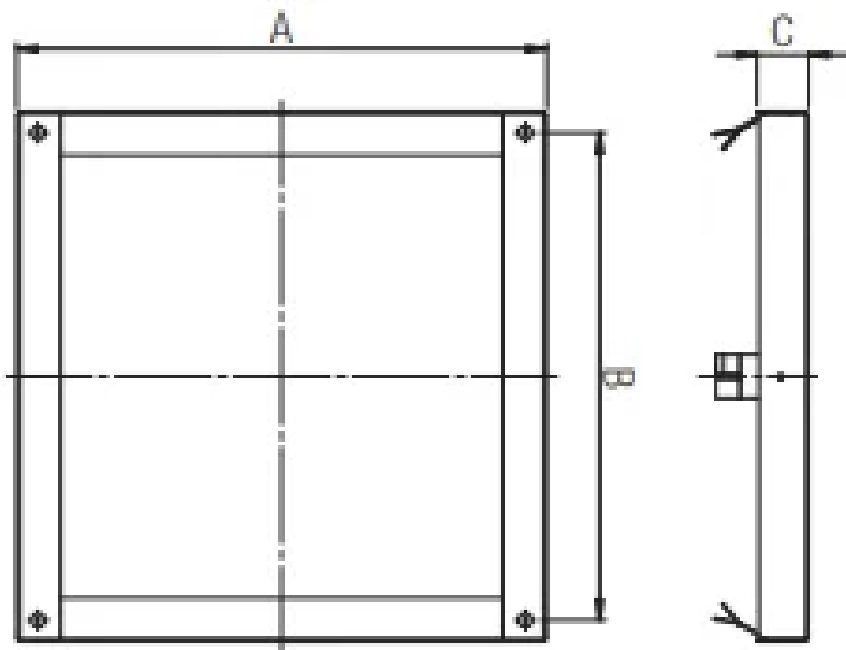
## Detailed description

Galvanized sheet metal counter-base provided with 4 anchor bolts to ensure good anchorage of the Torrino to the underlying structure.

Suitable for all **single-phase and three-phase STCQ** models.



## Dimensions



Code	Dimensions mm
BASESTC●2000000	420x390x41,5 mm
BASESTC●4060000	530x490x41,5 mm
BASESTC●8010000	650x600x41,5 mm
BASESTC●1502000	790x740x41,5 mm

## Spare parts



### STC● compact centrifugal Torino extractor roof

STCQ00000000000

STC● compact centrifugal fans for roof-tower installation are horizontal or vertical discharge (with appropriate accessory) and suitable for extracting air directly or through ductwork in environments where high head is required for commercial and industrial applications such as factories, gyms, industrial facilities, warehouses, kitchens, etc.

