

SVF industrial centrifugal fans

🔧 Sectors **Plant Components, Exhaust gases, Welding, Ventilation, Grinding,**

🔧 Applications **Fix**

🔧 Issues **Odours, Exhaust gases, Fumes, Powders**

COD: SVF000000000000



Industrial centrifugal fans with backward-bladed impeller SVF series

Insight

The SVF series industrial centrifugal fans with backward blades are constructed as follows:

- steel screw conveyor equipped with flange connections on the suction and discharge ports, with a fully electro-welded structure and blue powder coating
- motor-impeller support frame connected to the screw conveyor with a bolted plate for quick impeller removal for maintenance and support foot
- electro-welded steel impeller, statically and dynamically balanced with cast iron hub with flat backward blades
- electric motor suitable for outdoor installation, can be controlled by a three-phase inverter.

They are available in stock in 6 sizes from 250 to 450, all with 2-pole motors, but are also available up to a diameter of 1000 with 4 or 6-pole motors.

Application

For the extraction and transport of clean or dusty air, with low-medium-high flow rates and medium pressures, even of air containing small quantities of sawdust, various shavings, granular materials, excluding filamentous materials. Within the SECURAIR® range, they are used, for example, for suction from self-supporting arms (when not already equipped with an on-board suction unit) or for suction with industrial hoods; in addition, the **centrifugal fans** can be completed with a series of SECUREAIR accessories (the product photo refers to the complete version with all accessories) designed to facilitate installation:

- circular connections on the suction and delivery sides solve the problem of connecting the fans to the system pipes
- Galvanized base frame for floor installation, complete with shock absorbers to reduce transmitted vibrations
- Galvanized steel bracket for wall mounting, complete with shock absorbers to reduce transmitted vibrations
- anti-vibration joints on the suction and delivery sides to reduce vibrations transmitted to the system pipes

Please note that when ordering **any centrifugal fan, it is necessary to specify the direction of rotation of the impeller**, also known as "orientation." Looking at the fan from the electric motor side, the possible positions of the air delivery outlet are defined, according to international standards, with an alphanumeric code in which the letter part (RD - right or LG - left) indicates the direction of rotation of the impeller and the number part indicates the angle in degrees of the air flow outlet from the delivery outlet.

There are 16 available orientations, 8 clockwise (RD) and 8 counterclockwise (LG), bearing in mind that the direction of rotation is defined, in a centrifugal fan, by looking at the fan from the motor side.

Choosing the right orientation is crucial for the fan to operate at maximum efficiency and to avoid turbulence in the pipes.

Our technical department is available to assist you in making the right choice.



Rotazione RD
vista lato motore
Rotation RD
motor side view

Forma
Form

Rotazione LG
vista lato motore
Rotation LG
motor side view



0°



45°



90°



135°



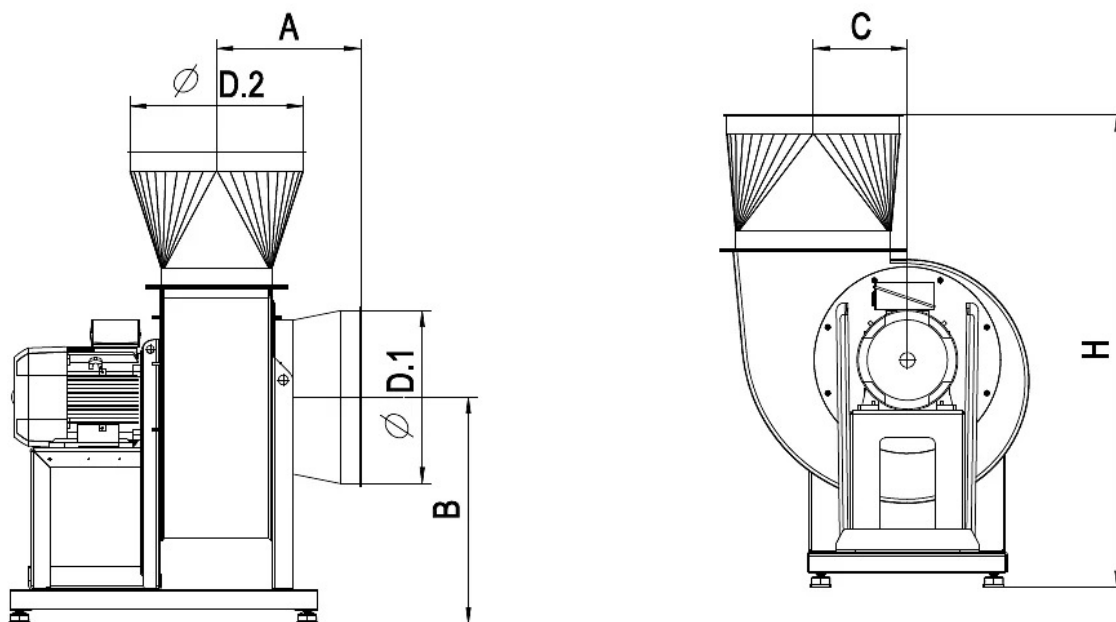
270°



315°



Dimensions



Code	A mm	B mm	C mm	H mm	I mm	$\varnothing M$ mm	$\varnothing R$ mm	$\varnothing D1$ mm	$\varnothing D2$ mm	H1 mm	H2 mm	\bullet mm	J mm	\varnothing mm
SVF250203700000	245	375	149	920	121	195	26	250	250	195	315	48	203	205
SVF280205500000	255	435	172	985	121	195	26	300	300	195	375	48	203	228
SVF310201100000	275	475	196	1050	121	217	48	350	350	225	400	48	203	255
SVF350202200000	355	526	216	1130	133	251	60	400	400	255	450	58	234	285
SVF400200400000	375	589	245	1225	197	283	52	450	450	285	500	34	289	320
SVF450207500000	390	652	275	1325	237	345	64	520	520	320	560	44	337	360

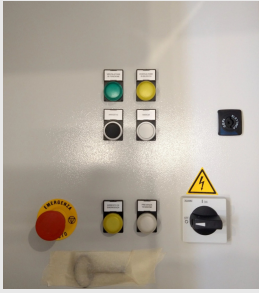


Technical Data

Code	Power kW	Useful pressure Pa	Weight kg	Q max mc/h	RPM rpm
SVF250203700000	0,37	860	26	1080	2820
SVF280205500000	0,55	1140	30	1440	2820
SVF310201100000	1,1	1520	42	2160	2820
SVF350202200000	2,2	1960	62	2880	2820
SVF400200400000	4	2510	90	4320	2820
SVF450207500000	7,5	3290	107	8000	2820



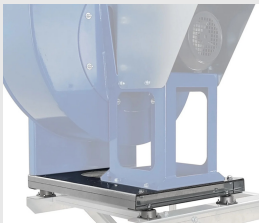
Related accessories



Electric panel for fan start-up

QED000000000000

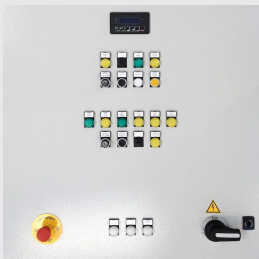
Direct-start and star-delta **industrial switchboard** for starting and protecting fan motors with 3F+T 400Vac 50/60Hz power supply.



Centrifugal fan base SVM-R-F

SVMRF000000BSV0

Sturdy galvanized steel base **designed and constructed for supporting SVM-R-F series centrifugal fans**.



Switch cabinet with inverter for fan control

QEI000000000000

Industrial control cabinet complete with three-phase inverter and remote operator terminal with LCD display, run/stop control, frequency regulation, monitor and alarm reset.



Wall bracket for SVM-R-F centrifugal fans

SVMRF000000SPV0

Sturdy galvanized steel bracket **sized for wall mounting of SVM-R-F series fans**, complete with shock absorbers to reduce vibrations transmitted by the fan.





Pair of fittings for centrifugal fans SVM-R-F

SVMRF000000RAPO

Pair of circular fittings made of galvanized steel, complete with flanges with holes for fixing to on suction and fan discharge and with edging prepared for collar on side of plant piping fixing.



Circular compression fitting for SVM-R-F fans

SVMRF000000RPRO

Circular galvanized steel fitting, complete with flange with borings for fixing to on fan discharge and beading prepared for collar on plant piping fixing side.



Motor cover for SVM-R-F fans

SVMRF000000CMT0

Galvanized steel motor cover casing, complete with holes for fixing to the fan.



Press-in vibration damping joint for SVM-R-F fans

SVMRF000000GAPO

Circular anti-vibration joint for fastening on fan discharge connection, made of industrial tarred rubber, complete with prepared edging and fastening collars.





Suction anti-vibration joint for SVM-R-F fans

SVMRF000000GAS0

Circular anti-vibration joint for fastening on fan inlet connection, made of industrial cloth rubber, complete with prepared edging and fastening collars.



Circular suction connector for SVM-R-F fans

SVMRF000000RAS0

Circular suction fitting for SVM-R-F fans made of galvanized steel, complete with flange with holes for fastening to on fan suction and beading prepared for collar on plant piping fastening side.



Related Products



SVM industrial centrifugal fans

SVM0000000000000

Industrial centrifugal fans with backward-bladed impeller SVM series



SVR industrial centrifugal fans

SVR0000000000000

Industrial centrifugal fans with backward-bladed impeller SVR series

