

# Circular lacquered aluminium hood diam 250 mm

🔗 Sectors

🔗 Applications **Fix**

🔗 Issues **Fumes**

COD: CAPCIRC250ALL00

Circular extractor hood diam 250 mm in lacquered aluminium for C/H/B LAB arms.



## Insight

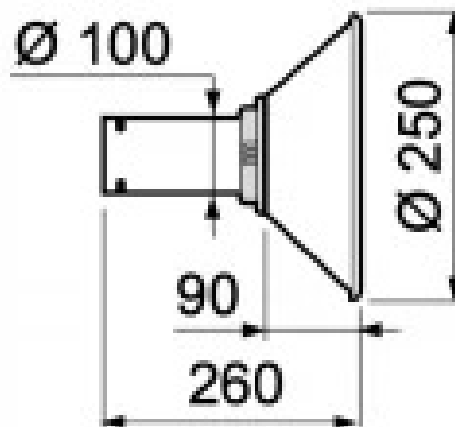
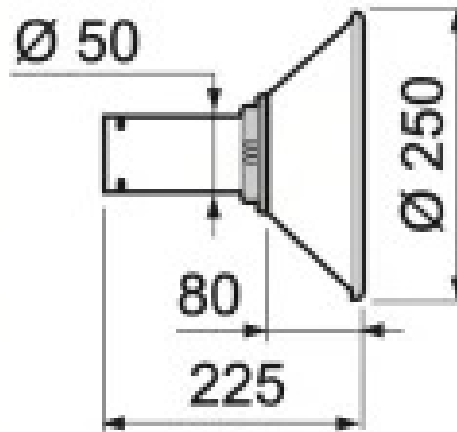
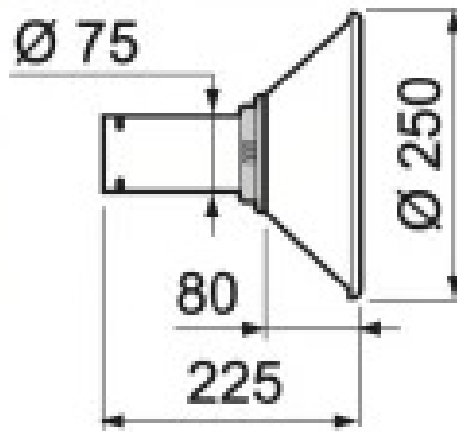
The metal hood is useful for work in corrosive environments and for capturing hot fumes and dust splashes. Supplied with aluminium tube for arm attachment.

**Material:** powder-coated aluminium

**Weight:** 300 g

**Working temperature:** -15°C / + 80°C





## Technical Data

Code	Arm diameter mm
CAPCIRC250ALL50	50
CAPCIRC250ALL75	75
CAPCI250ALL75PP	75
CAPCIRC250ALL10	100



## Related accessories



### 350VX circular transparent dome hood diam. 350 mm

CAPPA350VX00000

The transparent dome hood is suitable for lighter gases with a wider dispersion of contaminants, without impeding visibility.



### Circular transparent dome hood 500VX diam. 500 mm

CAPPA500VX00000

Transparent suction hood in oversized version.



### Rectangular hood 350×300 mm

CAPPARET3503000

Transparent rectangular extractor hood 350×300 mm for B/C/H LAB 50/75 mm arms.



### Transparent flat hood 300x200mm

CAPPAPIA3002000

Transparent rectangular extractor hood 300x200mm for H/B/C LAB arms, diameter 50, 75, 100mm.



### Rectangular hood 570×470 mm

CAPPARET5704700

Transparent rectangular suction hood 570×470 mm for H/B/C arms LAB100 mm



## Related Products



### BLAB 50/75mm laboratory suction arm for bench mounting

BLAB5075000000

The **BLAB laboratory arm** is designed for localized suction in workstations where high mobility is required, such as in chemical laboratories, universities, schools, chemical, pharmaceutical and electronic industries.

NB: hood excluded, to be selected from accessories.

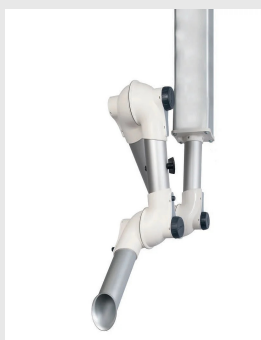


### HLAB 50/75/100mm laboratory suction arm for wall mounting

HLAB50751000000

The **HLAB laboratory arm** is designed for localized suction in workstations where high mobility is required, such as in chemical laboratories, universities, schools, chemical, pharmaceutical and electronic industries.

NB: hood excluded, to be selected from accessories.



### CLAB 50/75/100mm laboratory suction arm for ceiling mounting

CLAB50751000000

The **CLAB laboratory arm** is designed for localized suction in workstations where high mobility is required, such as in chemical laboratories, universities, schools, chemical, pharmaceutical and electronic industries.

NB: hood excluded, to be selected from accessories.

