

PRV PRO wall-mounted smoke exhauster with rigid tube arm and fan



🔗 Sectors [Welding](#),

🔗 Applications [Fix](#)

🔗 Issues [Fumes](#)

COD: PRV000000000000

The **PRV PRO self-supporting articulated suction arm** is the professional series of rigid tube arms, with the possibility of additional diameters compared to the HRV160 model and, above all, equipped with a quadruple pantograph for guaranteed stability over time.

Insight

The **PRV PRO self-supporting articulated extraction arm** is the ideal solution for capturing fumes, gases, and micro-dust as close as possible to the operator, as required by safety regulations. The respiratory tract is therefore protected from fumes and dust generated by welding, grinding, and other processes.

Thanks to their external pantographs, the PRV series extraction arms can be moved smoothly and easily in all directions and maintain the desired position for maximum working comfort. Stability and precision are guaranteed by the plastic spring and clutch system.

The extraction hood is made of black painted galvanized sheet metal, suitable for hot fumes, with elliptical collection and a comfortable ergonomic handle for easy and stable positioning.

Extractor fan: YES / to be connected to a circular section exhaust pipe.

Advantages

- maximum precision thanks to quadruple pantograph
- no components immersed in the extracted fluid
- Minimal pressure drops

Three-phase or single-phase **motor** (specify when ordering)

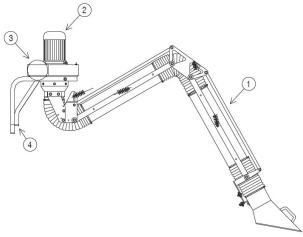
Installation: wall-mounted

Exhaust fan: YES / to be connected to circular section exhaust pipe

Operating temperature: from -20°C to +90°C

Maximum vacuum: 1600 Pa



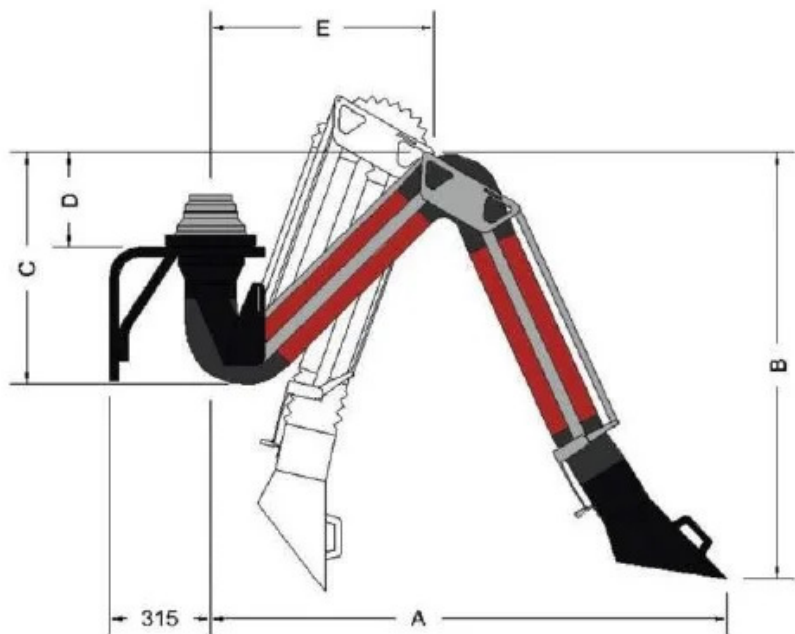


Structure

- pRM PRO series arm (1)
- aspirators (2) complete with square-round reduction (3)
- bracket (4)



Dimensions



Code	A mm	B mm	C mm	D mm	E mm
PRV125200000000	2305	1445	868	460	699
PRV125300000000	3305	1955	1346	939	873
PRV125400000000	4305	2455	1816	1408	1044
PRV160200000000	2375	1515	885	460	699
PRV160300000000	3375	2025	1364	939	873
PRV160400000000	4375	2525	1833	1408	1044
PRV200200000000	2415	1555	905	460	699
PRV200300000000	3415	2065	1384	939	873
PRV200400000000	4415	2565	1853	1408	1044
PRV250200000000	2580	1666	930	368	822
PRV250300000000	3580	2176	1409	847	996
PRV250400000000	4580	2676	1878	1316	1167



Technical Data

Code	Nominal flow rate m ³ / h	Long arm meters	Pipe diameter mm
PRV125200000000	750	2	125
PRV125300000000	750	3	125
PRV125400000000	750	4	125
PRV160200000000	1250	2	160
PRV160300000000	1250	3	160
PRV160400000000	1250	4	160
PRV200200000000	2000	2	200
PRV200300000000	2000	3	200
PRV200400000000	2000	4	200
PRV250200000000	3000	2	250
PRV250300000000	3000	3	250
PRV250400000000	3000	4	250



Photogallery



Related accessories



MAXIRET rectangular hood for PRO series arms

CAPPARETBR00000

The MAXIRET hood, thanks to its size and louvers, functions as a suction wall for efficient capture of pollutants over large areas.



Related spare parts



Wall bracket for industrial extraction arm Black

Professional wall bracket for industrial suction arms.

