

Self-supporting wall-mounted suction arm PRM PRO series

🔧 Sectors [Welding](#),

🔧 Applications [Fix](#)

🔧 Issues [Fumes](#)

COD:

PRM000000000000



The **PRM PRO series self-supporting articulated extraction arm** is the professional version of Secureair® extraction arms, equipped with 4 sturdy pantographs. It is the ideal solution for capturing fumes, gases, and micro-dust as close as possible to the operator, as required by safety regulations.

Insight

Thanks to the suction arm, the respiratory tract is thus protected from fumes and dust from welding, grinding and other work.

PRM PRO series suction arms thanks to the external pantographs can be moved smoothly and lightly in all directions and maintain the desired position for maximum working comfort. Stability and precision are ensured by the plastic spring and clutch system.

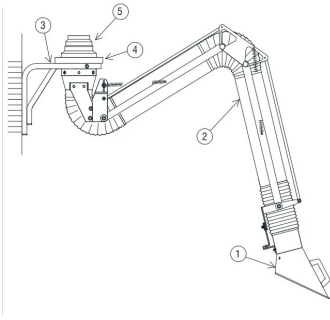
The truncated cone-shaped suction hood made of painted sheet steel is suitable for sucking in hot fumes, with elliptical capture and convenient ergonomic handle for easy positioning.

Extractor fan : NO / to be connected to centralized system or external extractor fan.

Advantages

- easy to move remains stationary and suspended
- maximum precision thanks to quadruple pantograph
- no components immersed in the suctioned fluid
- minimal pressure drop



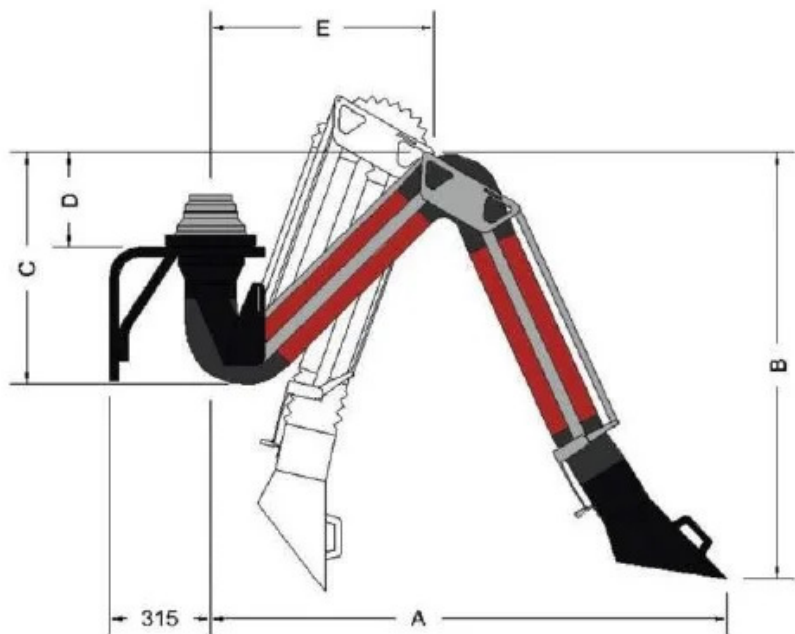


Structure

- Quadruple pantograph support structure;
- Rigid tubes (2) of galvanised sheet steel painted in RAL 3003;
- Swivel base with fifth wheel;
- Truncated conical hood (1) in painted sheet steel;
- Flexible PVC-coated fabric hose, operating temperature -20°C to $+90^{\circ}\text{C}$;
- Wall bracket (3), counter flange (4) and fitting (5);



Dimensions



Measures

| Code | A mm | B mm | C mm | D mm | E mm | H mm |
|-----------------|---------|---------|---------|---------|---------|---------|
| PRM125200000000 | 2305 | 1445 | 868 | 460 | 699 | |
| PRM125300000000 | 3305 | 1955 | 1346 | 939 | 873 | |
| PRM125400000000 | 4305 | 2455 | 1816 | 1408 | 1044 | |
| PRM160200000000 | 2375 | 1515 | 885 | 460 | 699 | |
| PRM160300000000 | 3375 | 2025 | 1364 | 939 | 873 | |
| PRM160400000000 | 4375 | 2525 | 1833 | 1408 | 1044 | |
| PRM200200000000 | 2415 | 1555 | 905 | 460 | 699 | |
| PRM200300000000 | 3415 | 2065 | 1384 | 939 | 873 | |
| PRM200400000000 | 4415 | 2565 | 1853 | 1408 | 1044 | |
| PRM250200000000 | 2580 | 1666 | 930 | 368 | 822 | 822 |
| PRM250300000000 | 3580 | 2176 | 1409 | 847 | 996 | |
| PRM250400000000 | 4580 | 2676 | 1878 | 1316 | 1167 | |



Technical Data

| Code | Long arm meters | Pipe diameter mm |
|-----------------|-----------------|------------------|
| PRM125200000000 | 2 | 125 |
| PRM125300000000 | 3 | 125 |
| PRM125400000000 | 4 | 125 |
| PRM160200000000 | 2 | 160 |
| PRM160300000000 | 3 | 160 |
| PRM160400000000 | 4 | 160 |
| PRM200200000000 | 2 | 200 |
| PRM200300000000 | 3 | 200 |
| PRM200400000000 | 4 | 200 |
| PRM250200000000 | 2 | 250 |
| PRM250300000000 | 3 | 250 |
| PRM250400000000 | 4 | 250 |



Photogallery



Related accessories



MAXIRET rectangular hood for PRO series arms

CAPPARETBR00000

The MAXIRET hood, thanks to its size and louvers, functions as a suction wall for efficient capture of pollutants over large areas.



Related spare parts



Wall bracket for industrial extraction arm Black

Professional wall bracket for industrial suction arms.

