

SVR industrial centrifugal fans

≡ Sectors [Plant Components](#), [Exhaust gases](#), [Welding](#), [Ventilation](#)

≡ Applications: [Fix](#)

≡ Issues [Odours](#), [Exhaust gases](#), [Fumes](#), [Powders](#)

COD: SVR000000000000



Industrial centrifugal fans with backward-bladed impeller SVR series

Detailed description













Industrial centrifugal fans with backward blade impeller series SVR made as follows

- steel scroll equipped with flange connections on the suction and pressure ports, with fully electrowelded and blue powder-coated structure
- chair for supporting the motor-impeller unit connected to the auger with bolted plate for quick extraction of the impeller in the event of maintenance and support foot
- electrowelded steel impeller, statically and dynamically balanced with cast-iron hub with flat backward-moving blades
- electric motor suitable for outdoor installation, can be driven by three-phase inverter.

They are available from stock in 6 sizes from 250 to 450, all with 2-pole motors, but are also available up to diameter 1000 with 4- or 6-pole motors

Our technical department is available to support you in making the right choice.



Rotazione RD alla lato motore Rotation RD motor side view	Forma Form	Rotazione LG alla lato motore Rotation LG motor side view
	0°	
	45°	
	90°	
	135°	
	270°	
	315°	



Dimensions

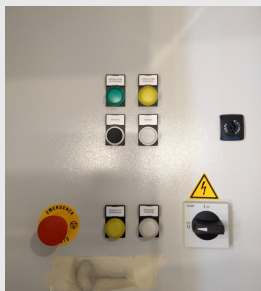
Code	B mm	H mm	I mm	Ø M mm	Ø R mm	H1 mm	H2 mm	● mm	J mm	Ø mm
SVR250205500000	464	315	121	196	26	195	315	49	203	255
SVR280201100000	482	375	121	217	48	200	375	48	203	285
SVR310202200000	553	400	133	251	60	225	400	58	234	320
SVR350200300000	661	450	197	285	54	255	450	35	289	360
SVR400205500000	710	500	237	345	64	285	500	44	337	405
SVR450201100000	860	560	337	446	54	320	560	55	395	455

Technical Data

Code	Power kW	Useful pressure Pa	Noise Db (A)	Weight kg	Q max mc/h	Rotational speed rpm
SVR250205500000	0,55	860	63	37	2520	2820
SVR280201100000	1,1	1070	66	45	3600	2820
SVR310202200000	2,2	1430	67	57	5400	2820
SVR350200300000	3	1740	72	80	7200	2820
SVR400205500000	5,5	2310	76	116	10080	2820
SVR450201100000	11	3070	82	161	16200	2820



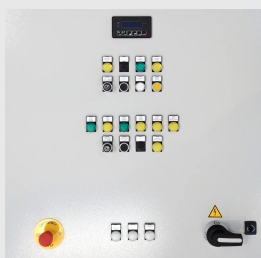
Accessories



Electric panel for fan start-up

QED000000000000

Direct-start and star-delta **industrial switchboard** for starting and protecting fan motors with 3F+T 400Vac 50/60Hz power supply.



Switch cabinet with inverter for fan control

QEI000000000000

Industrial electrical panel complete with three-phase inverter and remote operator terminal with LCD display, run/stop control, frequency regulation, monitor and alarm reset.



Centrifugal fan base SVM-R-F

SVMRF000000BSV0

Sturdy galvanized steel base **designed and constructed for supporting SVM-R-F series centrifugal fans.**



Wall bracket for SVM-R-F centrifugal fans

SVMRF000000SPV0

Sturdy galvanized steel bracket **sized for wall mounting of SVM-R-F series fans**, complete with shock absorbers to reduce vibrations transmitted by the fan.





Pair of fittings for centrifugal fans SVM-R-F

SVMRF000000RAPO

Pair of circular fittings made of galvanized steel, complete with flanges with holes for fixing to on suction and fan discharge and with edging prepared for collar on side of plant piping fixing.



Circular compression fitting for SVM-R-F fans

SVMRF000000RPRO

Circular galvanized steel fitting, complete with flange with borings for fixing to on fan discharge and beading prepared for collar on plant piping fixing side.



Motor cover for SVM-R-F fans

SVMRF000000CMT0

Galvanized steel motor cover carter, complete with holes for fixing to the fan.



Press-in vibration damping joint for SVM-R-F fans

SVMRF000000GAPO

Circular anti-vibration joint for fastening on fan discharge connection, made of industrial tarred rubber, complete with prepared edging and fastening collars.





Suction anti-vibration joint for SVM-R-F fans

SVMRF000000GAS0

Circular anti-vibration joint **for fastening on fan inlet connection**, made of industrial cloth rubber, complete with prepared edging and fastening collars.



Circular suction connector for SVM-R-F fans

SVMRF000000RAS0

Circular suction fitting for SVM-R-F fans made of galvanized steel, complete with flange with holes for fastening to on fan suction and beading prepared for collar on plant piping fastening side.



Related products



SVM industrial centrifugal fans

SVM0000000000000

Industrial centrifugal fans with backward-bladed impeller SVM series



SVF industrial centrifugal fans

SVF0000000000000

Industrial centrifugal fans with backward-bladed impeller SVF series

