

Compact centrifugal roof fan STCQ

COD: STCQ00000000000



STCQ compact centrifugal fans for roof-tower installation are horizontal or vertical discharge (with appropriate accessory) and suitable for extracting air directly or through ductwork in environments where high head is required for commercial and industrial applications such as factories, gyms, industrial facilities, warehouses, kitchens, etc.

Insight

STCQ fans are available in 7 sizes from 200mm to 497mm with air flow rates up to 19,400m³/h and static pressure up to 780Pa.

With **single-phase or three-phase AC motors**, they are adjustable and equipped with technopolymer composite backward-bladed centrifugal fans, steel wire protection mesh, weatherproof ABS rain cover, and an IP55 contact box. A wide range of accessories is also available.

CONSTRUCTION

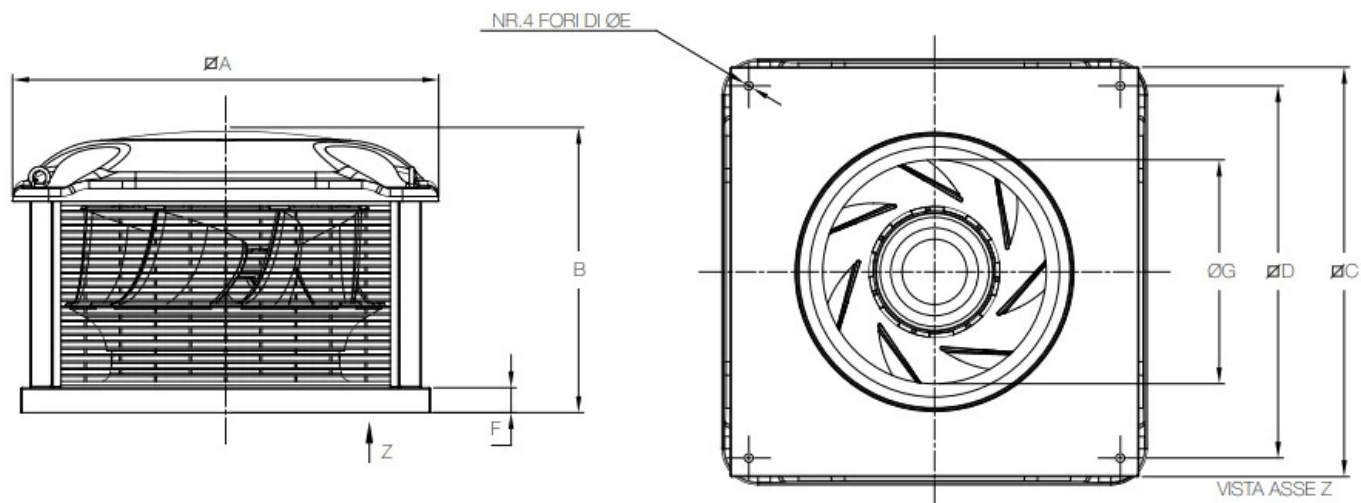
- Sturdy galvanized steel support bases a of long life and maximum stability.
- Weather-resistant ABS rain cover to ensure continuous cooling of the motor.
- Steel wire guard mesh to create the least resistance to airflow
- Ultra-high performance, statically and dynamically balanced backward-bladed centrifugal fans.
- Asynchronous AC motors, single-phase or three-phase external rotor, adjustable with degree of iP54, insulation class F, suitable for continuous operation S1.
- Electrical connections to the motor contained in an IP55 contact-holder box, attached to the motor support, under the rain cover.

FEATURES AND BENEFITS

- Optimization of overall dimensions to minimize aesthetic impact.
- Rugged construction for durable operation in all weather conditions.
- Rain cover has a minimalist design to fit into any architectural context.
- Eyebolts ensure the lid is closed and simplify lifting the unit as well as inspection and maintenance activities.
- They operate at temperatures between -15°C and +60°C.
- Units are tested in accordance with the latest standards to ensure maximum reliability of electrical safety and performance data.
- Designed and manufactured according to the Machinery Directive (MD), Low Voltage Directive (LVD), Electromagnetic Compatibility Directive (EMC) and Regulation 1253/2014 (ErP Directive).



Dimensions



Code	A mm	B mm	C mm	D mm	E mm	G mm	Ø F mm
STC●20M00000000	460	305	430	390	10	200	40
STC●20T00000000	460	305	430	390	10	200	40
STC●40M00000000	570	360	540	490	12	253	40
STC●40T00000000	570	360	540	490	12	253	40
STC●60M00000000	570	380	540	490	12	290	40
STC●60T00000000	570	380	540	490	12	290	40
STC●80T00000000	690	450	660	600	12	360	40
STC●100T00000000	690	450	660	600	12	360	40
STC●150T00000000	830	535	800	740	12	447	40
STC●200T00000000	830	535	800	740	12	447	40



Technical Data

Code	Power kW	Nominal flow rate m ³ / h	Liv son Db (A)	Filter effect %	Weight kg	Motor	Q max mc/h	Poles
STC●20M00000000	0,13	1980	38	36,9	14	Single-phase	1980	4
STC●20T00000000	0,13	1980	37	36,9	14	Three-phase	1980	4
STC●40M00000000	0,37	3950	45	41,2	24	Single-phase	3950	4
STC●40T00000000	0,37	3950	43	43,8	24	Three-phase	3950	4
STC●60M00000000	0,58	5500	46	42,8	26	Single-phase	5500	4
STC●60T00000000	0,54	5600	46	45,4	26	Three-phase	5600	4
STC●80T00000000	0,48	7200	41	42,1	40	Three-phase	7200	6
STC●100T00000000	1,45	10400	51	47,5	52	Three-phase	10400	4
STC●150T00000000	1,45	14400	48	49,6	74	Three-phase	14400	6
STC●200T00000000	3,9	19400	57	50,7	86	Three-phase	19400	4



Related accessories



Galvanized sheet metal sub-base for STC choruses

BASESTCQ0000000

Galvanized sheet metal counter-base provided with 4 anchor bolts to ensure good anchorage of the Torrino to the underlying structure.



Purlin box 15th for Torrini STC

PB15STCQ0000000

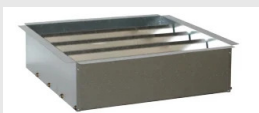
Galvanized sheet metal support base equipped with insulating mat for installation on sloping roofs at an angle of 15° to avoid masonry or carpentry work and water stagnation near the fan.



Purlin box H300 for Torrini STC

PBH3STCQ0000000

Support base made of galvanized sheet metal with 0° inclination equipped with an insulating mat to ensure proper acoustic comfort and tightness.



Gravity Damper for Torrini STC

SRDGSTCQ0000000

Gravity damper for STCQ galvanized steel Torrini to prevent air leakage and heat loss fan off.



Rain deflector kit for Torrini STC

KDPSTCQ0000000

Kit with 4 rain deflectors for STCQ galvanized sheet metal Torrini.



Vertical baffle kits for STC turrets

KDVSTCQ0000000

Kit of 4 vertical baffles made of galvanized sheet metal for STCQ Torres.





Closing Panel for STCQ Torrini

PACSTCQ00000000

Panel for STCQ galvanized sheet metal for closing one of the fan exhaust sides.



Service switch panel for single-phase and three-phase Torrini STCs

PAISTCQ20200000

Galvanized sheet metal panel for Torrini STCQ to support and protect the service switch.



4-pole service switch for Torrini STCQ

INTSTCQ00000000

Service switch for 4-pole STCQ Torrini with maximum load of 16A.



Regulator with transformer for single-phase and three-phase STCQ turrets

REGSTCQ00000000

Regulator for STCQ Torres with single-phase and three-phase motors for speed variation via built-in 5-position transformer.



Related Products



SE● axial panel fans

SEQ000000000000

Axial wall-mounted fans are ideal exhaust fans for applications where high air flow rates and installation with wall or panel mounting are needed. For example: ventilation of warehouses, gymnasiums, factories, parking lots, farms, cooling of electrical equipment, refrigeration equipment, etc.

