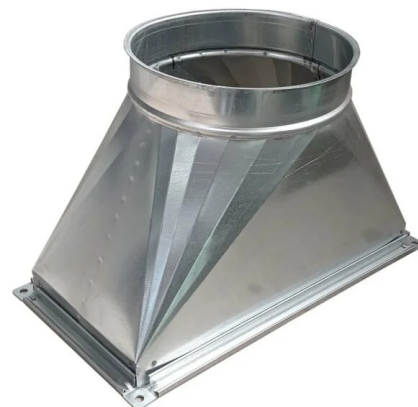


# Round flange for adapting air exhaust on silenced bend for SBC/SBV benches

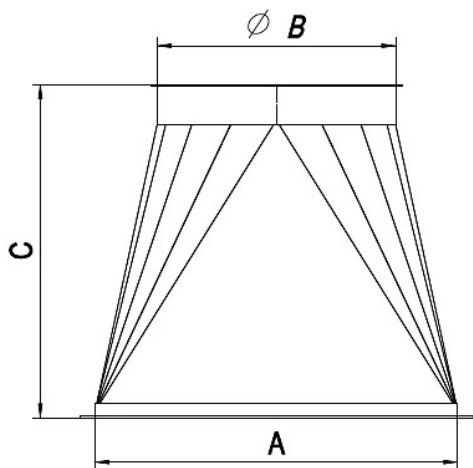
COD: FLTNASCURSB0000



Round flange made of high-quality galvanized sheet metal, to be fixed to the vertical silenced exhaust air outlet for connection to exhaust ducts.

Suitable for SBC and SBV model fume hoods.

## Dimensions



Code	Ø B mm	C mm
FLTNASCURSBC100	250	300
FLTNASCURSBV100	250	300
FLTNASCURSBC150	300	300
FLTNASCURSBV150	300	300
FLTNASCURSBC200	400	300
FLTNASCURSBV200	300	300
FLTNASCURSBC300	450	300



Code	Ø B mm	C mm
FLTNASCURSBV300	400	300

