

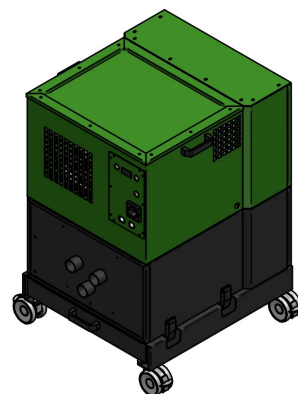
# High pressure welding fume extractor VXH22

📌 Sectors [Welding](#)

📌 Applications: [Mobile](#)

📌 Issues [Fumes, Powders](#)

COD: VXH102200000000



VXH22 welding trolley **mobile fume extractor** of the latest generation, with final filtration HEPA H13 and subsequent certification W3.

## Detailed description

The VXH22 welding fume purifier is designed for optimal high-pressure suction of fumes through two welding suction flashlights at the same time or from other applications requiring small-section piping.

### Technical features

- suction from up to 2 flashlights at the same time
- Power 2200Watt 400/3/50 three-phase
- Max flow rate 240mc/h
- Nominal depression 250 mBar
- Sound level 75db(A) at 1.5m in free field
- Weight 80kg

### Filter section

- stage 1: pre-chamber stilling for abatement of larger particle size
- stage 2: eff 99% polyester cartridge filtration
- stage 3: HEPA panel H13 99.9%
- optional: activated carbon panel for deodorization

The high-pressure welding fume extractor with integrated filtration (99.9% 0.3micron micrometer abatement) to be connected to max. no. 2 SAT line suction flashlights, is specifically for industrial use in continuous operation (100% duty cycle) thanks to the robust aluminum blower/turbine with a three-phase motor of primary brand. The aspirator is designed for operation in manual or automatic mode ; in the latter, the aspirator is activated and, by means of a timer, deactivated in synchrony with the welding cycle.

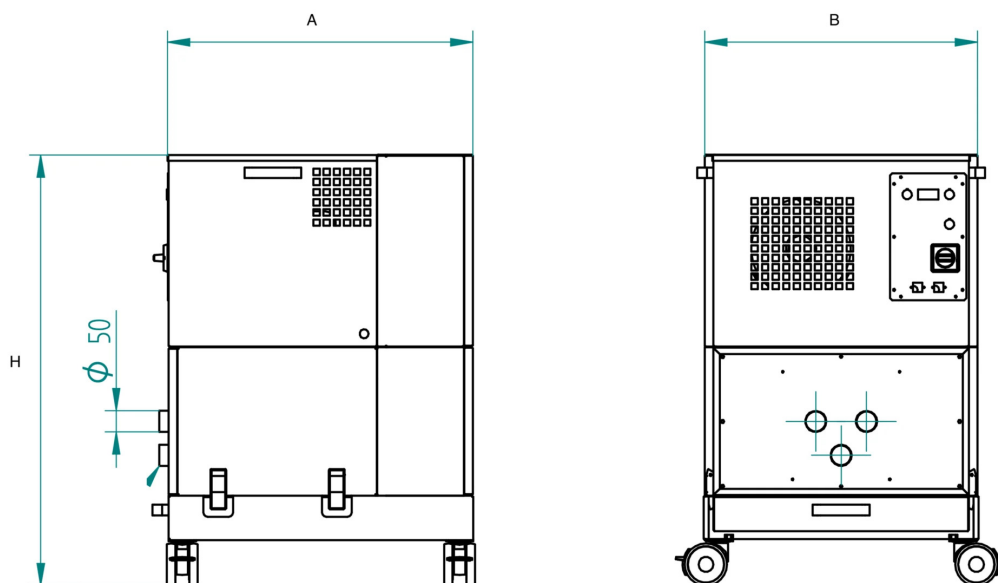
- The maximum distance, length of the hose, between the suction point and the fume production point is 20-25m.
- Ideal solution for one or two welding stations and re introduction of fumes into the environment (where permitted) or directly with expulsion to the outside (with accessory).
- Automatic activation during arc initiation makes it fully automatic without loss of productivity.

### Construction

- sturdy powder-coated steel frame and panels
- smoke inlet chamber and cartridge housing made of 20/10 sheet metal sealed
- electrical panel for control and protection



## Dimensions



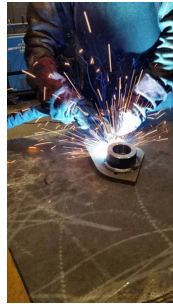
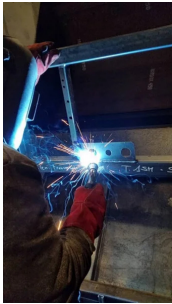
Code	A mm	B mm	H mm
VXH102200000000	720	640	1020

## Technical Data

Code	Power kW	Nominal flow rate m <sup>3</sup> / h	Useful pressure Pa	Noise Db (A)	Filtering efficiency %	Weight kg	Power supply V	Power supply Hz	Cartridges num.	Pipe diameter mm
VXH102200000000	2,2	240	25000	75	99,9	80	400	50	2	50



## Photogallery



## Spare parts



### SAT300 air-cooled suction torch

SAT300000000000

The SAT welding fume suction flashlight system from Secureair® is an effective, cost-effective and alternative solution to traditional solutions. The SAT300 model is a lightweight suction flashlight, ideal for sheet metal processing with 1-1.2mm wire



### SAT350 air-cooled suction torch

SAT350000000000

The SAT welding fume suction flashlight system from Secureair® is an effective, cost-effective and alternative solution to traditional solutions. The SAT350 model is a lightweight suction flashlight, ideal for sheet metal processing with 1-1.2mm wire



### SATC welding fume extractor with torch and arm

SATC3A00000000

SATC3A welding fume extractor to serve a welding station ready for use.

