

AGT exhaust gas extractor with manual mechanical retractor [motorbike and car]



🔗 Sectors [Exhaust gases](#),

🔗 Applications [Fix](#)

🔗 Issues [Exhaust gases](#)

COD: AGT000000000000

The **AGT exhaust gas aspirator** with retractor is the most effective and easy-to-install solution for solving exhaust gas emissions in the workshop by sucking them directly to the source with a hose and nozzle that can be connected directly to the muffler. The suction hose when not in use can be rewound mechanically without effort.

Insight

The exhaust gas reel aspirator comes pre-assembled and complete with:

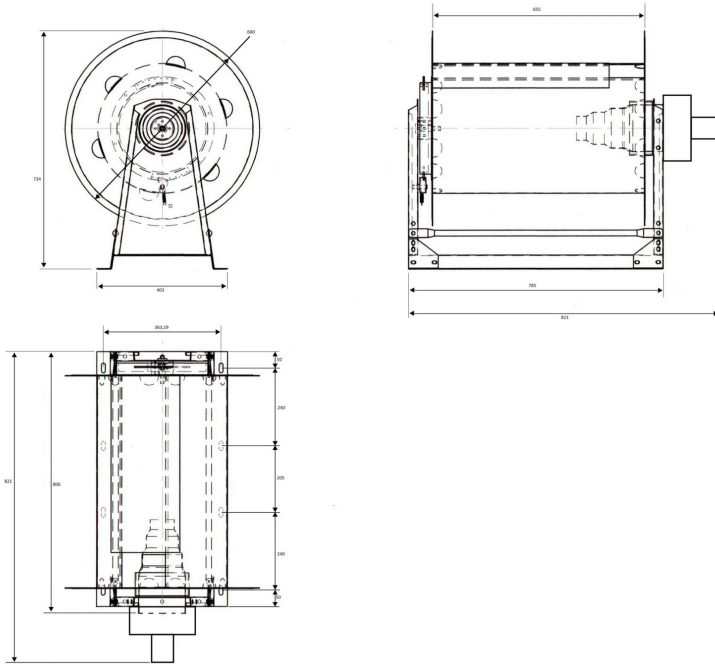
- sturdy painted steel drum complete with side discs, hose connection and brackets for wall mounting.
- high-efficiency centrifugal exhaust fan in direct-coupled execution with three-phase motor. Power 0.18kW 400/3/50 three-phase.
- air flow rate 1000 mc/h
- flexible rubber-reinforced nylon spiral anti-crush hose. Certified use for exhaust gas extraction systems with coilers. Withstands temperatures up to 200°C. Diameter 75, 100 or 125 mm depending on model.
- rubber nozzle with plug for hose connection to vehicle exhaust muffler.
- instruction manual for installation and use
- single packaging in cardboard box

Rewinders with mechanical rewinding for motorcycles and cars are available with hose diameters from 75mm up to 125mm and lengths from 7.5mt up to 12.5mt.

The AGT series comes already assembled complete with extractor fan, high temperature resistant anti-crushing tubing, adjustable hose stop depending on the installation height, rubber nozzle with smoke outlet and everything needed for easy installation.



Dimensions



Code	Ø mm
AGT7510T0000000	75
AGT75125T0000000	75
AGT10075T0000000	100
AGT10010T0000000	100
AGT12575T0000000	125

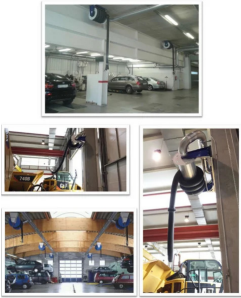


Technical Data

Code	Diameter mm	Weight kg	Tube length meters
AGT7510T0000000	75	40.4	10
AGT75125T000000	75	41.75	12.5
AGT10075T000000	100	40.32	7.5
AGT10010T000000	100	42.1	10
AGT12575T000000	125	41.5	7.5



Photogallery



Adattatore per aspiratore
in acciaio inox

